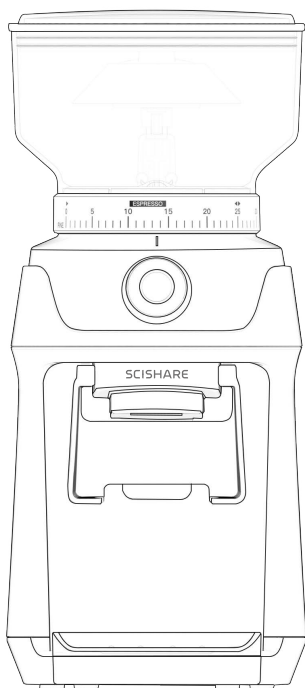


SCISHARE

Instruction Manual COFFEE GRINDER

S3201



Thank you for purchasing the SCISHARE product.
To ensure you enjoy our fully support, please read this instruction manual before
using the product. If there are minor changes to the product,
please refer to the actual product.

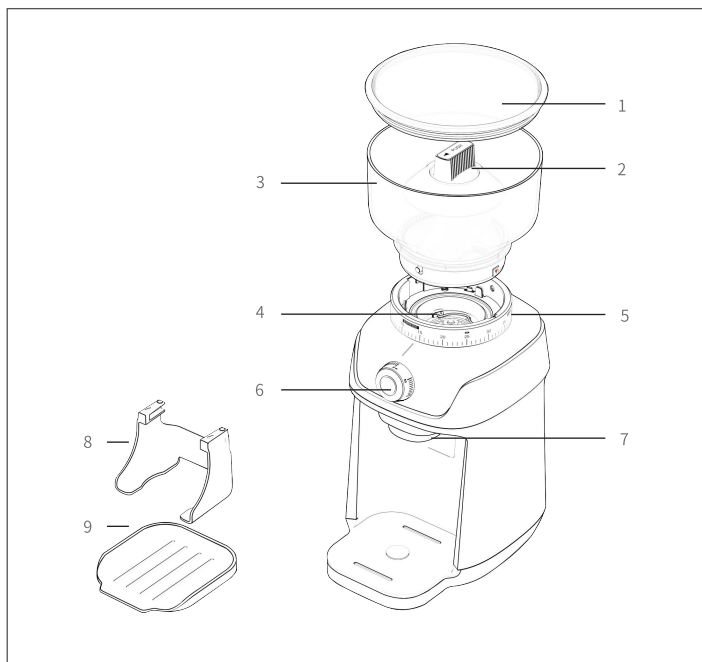
SAFETY EXPLAIN

READ ALL INSTRUCTIONS BEFORE USE AND SAVE FOR FUTURE REFERENCE

1. Remove and throw away any packaging material and promotional labels before using product for the first time.
2. To eliminate a choking hazard for young children, remove and safely discard the protective cover fitted to the power plug of product.
3. Do not place product near the edge of a bench or table during operation.
4. Ensure that the surface is level, clean and free of water.
5. To protect against electric shock, do not immerse the grinder base, power cord or power plug in water or allow moisture to come in contact with these parts.
6. Always switch product off at the power outlet and unplug if product is to be left unattended, if not in use, before cleaning, before attempting to move, disassembling, assembling and when storing.
7. Do not use attachments other than those provided with product.
8. Do not operate product without locking the bean hopper lid in position. Keep fingers, hands, hair, clothing and utensils away from the bean hopper during operation.
9. The coffee grinder should not be switched on until the bean hopper and hopper lid are locked into position in the grinding chamber.
10. Do not use product for any other purpose than grinding coffee beans.
11. Do not use pre-ground coffee in bean hopper. Product will not grind food that is sticky, or extremely hard, or make pastes of any fruits, seeds or herbs ie. curry pastes, nut butters.
12. Keep product and accessories clean.
13. This appliance shall not be used by children. Keep the appliance and its cord out of reach of children.
14. Children should be supervised to ensure that they do not play with the appliance.
15. Do not let the power cord hang over the edge of a bench or table or touch hot surfaces or become knotted.
16. It is recommended to regularly inspect the appliance. Do not use the appliance if the power cord, power plug or appliance becomes damaged in any way.
17. This appliance is for household use only. Do not use this appliance for anything other than its intended use. Do not use in moving vehicles or boats. Do not use outdoors. Misuse may cause injury.
18. Care shall be taken when handling the grinding burrs, emptying the bean hopper and during cleaning.

FOR HOUSEHOLD ONLY, SAVE THESE INSTRUCTIONS.

PRODUCT OVERVIEW



COMPONENTS

1.Bean Hopper Lid 2.Bean Hopper Lock 3.Bean Hopper 4.Grinding Burrs

5.Grind Dial Collar 6.Grind Time Knob 7.Grind Outlet 8.Portafilter Holder 9.Grind Tray

Note:

The bean hopper can hold up to 250 grams of coffee beans

TECHNICAL SPECIFICATION

Model: S3201

Safe grade: Class I

Voltage: AC 220-240V; 50-60Hz; 150W

Net Weight: 2.6kg

Size: 212X149X341.5mm

INSTRUCTION FOR USE

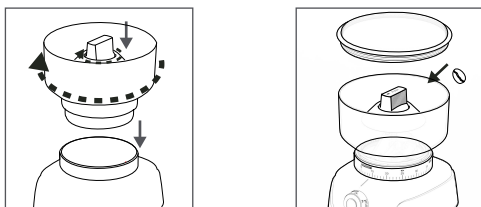
BEFORE FIRST USE

Remove and throw away any packaging material and promotional labels before using product for the first time.

Do not immerse the housing, power cord, or power plug in water or any other liquid.

ASSEMBLING YOUR PRODUCT

INSERT BEAN HOPPER



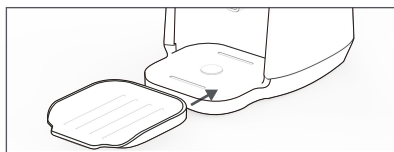
Make sure the bean hopper and the dial are correctly aligned.

- ① Align the “▼” on the bean hopper with the “●” on the dial, and insert the bean hopper into place.
- ② Rotate the bean hopper clockwise to enter the initial lock position.
- ③ Gently press down on the bean hopper lock and turn it clockwise to the locked position.

FILL COFFEE BEANS

Open the bean hopper lid, fill the freshly roasted beans into the hopper, and then close the hopper lid.

INSERT GRIND TRAY

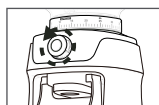
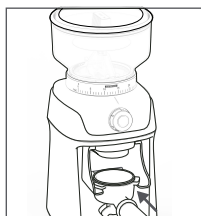


Install the Grind Tray on the coffee grinder.

FIRST USE

- 1.Plug the power cord into a 220V power. Press the grinding time knob , its light will turn on.
- 2.Attach the portafilter holder directly to the unit. Place the portafilter in the holder to grind coffee directly into it.

INSTRUCTION FOR USE



Short press to start or pause,
Press for 3S to power off.

3. Select the grind size and grinding time.

Refer to the below suggested settings for different brewing methods:

Grind Size and Amount Recommendations

| Brewing Method | Espresso | Moka | Pour Over/Drip | French Press |
|----------------------|----------|--------|----------------|--------------|
| Suggested Grind Size | Fine | Medium | Medium | Coarse |
| Grind Settings | 0-25 | 25-40 | 40-50 | 50-60 |
| Amount/ 1 Cup | 8-10s | --- | --- | --- |
| Amount/ 2 Cups | 12-18s | --- | --- | --- |
| Amount/ Cup | --- | 12-18s | 12-18s | 8-18s |

This Chart is a starting point to adjust grind time and/or size. Both can change depending on the type of coffee beans, their age, or how dark they are roasted.

(1) Select the desired coffee grind setting by rotating the bean hopper, which drives the dial. Turn clockwise to make the grind coarser, and vice versa.

(2) Choose the desired amount of coffee grounds by rotating the grind time knob. Turn clockwise to increase the grinding time and produce more coffee grounds, and vice versa.

Note: Before the first grind after loaded beans, perform a 3-5 seconds pre-grind after selected the grind size. This ensures the beans fully enter the grinding chamber.

4. Start Grinding

After selected the time, press the grind time knob once to start the grinder. Then the light flashes and grinding begins. It stops automatically when the time elapses.

5. Pause Grinding

To pause during operation, press the grind time knob again.

(1) Press once during grinding to pause.

(2) The unit retains the grinding time setting for 1 minute. If pressed again within 1 minute, it completes the remaining time.

If pressed after 1 minute, it runs the full selected time.

(3) The light flashes slowly during pause.

6. Manual Shutdown

Press and hold the grind time knob for 3 seconds to power off manually.

DISCALING

CLEANING THE BURRS

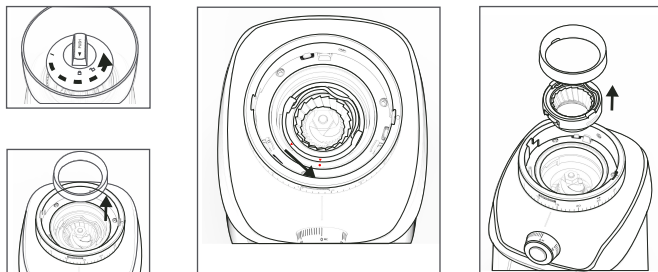
It is recommended to clean the grinding burrs regularly in order to keep the best grinding performance, and prevent coffee grounds from blocking the grinding channel.

- ① Rotate the bean hopper counterclockwise to remove it, and pour any beans inside into another container.
- ② Reinstall the bean hopper, set your desired grind size and time, then press the grind time knob. This allows the grinder to clear any remaining beans or coffee grounds from the bean hopper and grinding burrs. Once fully cleared, the grinding sound will become quieter and then stabilize.

NOTE:

Please be careful with the rubber ring and ensure it is not lost or misplaced.

CLEANING THE COFFEE GRINDER



1. Unplug the power cord from the coffee grinder.
2. Remove the bean hopper lid.
3. Turn the bean hopper lock counterclockwise to unlock it, preventing beans from falling out.
4. Remove the bean hopper by turning it counterclockwise, then empty beans, grounds, and residue from the bean hopper and burr plate.
5. Turn the handle on the grinding burrs counterclockwise to remove it.
6. Clean residual grounds with a brush or compressed air.
7. Reassemble all parts in the reverse order of disassembly.

NOTE:

Do not wash the grinding burrs with water.

Do not wash any parts in the dishwasher.

If necessary, wipe external parts with a soft damp cloth and dry thoroughly.

After cleaning, perform a 3-5 second pre-grind when reloading beans. This ensures the beans fully enter the grinding chamber.

TROUBLE SHOOTING

IF THE COFFEE GRINDER IS NOT WORKING PROPERLY,
PLEASE MAKE THE SIMPLE CHECK SET OUT AS FOLLOWS:

| PROBLEM | POSSIBLE CAUSE | SOLUTION |
|--|---|--|
| The knob LED light flashes white | The bean hopper is not installed correctly | Reinstall or replace the bean hopper |
| The knob LED light continuously flashes orange and the buzzer beeps intermittently | The burr plate is jammed | Clean according to the "Clean the coffee grinder" instructions |
| After pressing the switch knob, the coffee grinder does not start grinding | The coffee grinder is not connected to power | Plug the power cord into the outlet |
| | The bean hopper is not installed correctly | Remove the bean hopper and reinstall it, ensuring it is correctly positioned |
| | The grinding time setting is close to "0" | Turn the grinding time knob to increase the grinding time |
| The motor runs normally but no coffee powder comes out | There are no coffee beans in the bean hopper | Add fresh coffee beans to the bean hopper |
| | The drop channel for coffee beans is not unlocked by turning the knob clockwise | Turn the locking knob clockwise to allow the coffee beans to drop normally |
| | There is a blockage inside the coffee grinder | Clean according to the "Clean the coffee grinder" instructions. |

If you cannot identify the cause of the problem, please do not disassemble the machine yourself. Instead, contact SCHISHARE Technology's after-sales service promptly.

DISMANTLING

- Taking the machine out of use must be done by authorized staff. The pressure of the water circuit must be fully lowered; the power cord disconnected and any substances potentially harmful to the environment must be disposed of legally and properly.
- Keep the machine out of the reach of children or unqualified persons. If the machine is to be disposed as waste, it must be taken to a centre authorized for recycling electrical and electronic equipment (*). This is to protect the environment and humans from any possible harm. For more information about recycling please contact the offices of the municipality concerned, the domestic waste disposal service or the retailer.
- Do not dispose of the material in the environment



Do not dispose of electrical appliances as unsorted municipal waste, use separate collection facilities. Contact your local government for information regarding the collection systems available. If electrical appliances are disposed of in landfills or dumps, hazardous substances can leak into the groundwater and get into the food chain, damaging your health and well-being.

ADDITIONAL WARNINGS

If the plug of the machine does not fit into the socket have the plug changed by a qualified person who should also make sure that the section of the wires of the plug are suitable for the power absorbed by the machine. The use of adaptors, multiple sockets and/or extension cords is not advised. If they have to be used it is necessary to use only simple or multiple adaptors and extension cords compliant with the safety regulations in force and to make sure the capacity limit is not exceeded.

- There are basic rules to be observed when using electrical equipment. In particular;
- do not touch or use the equipment with wet or damp hands or in bare feet;
- do not pull on the power lead or the equipment itself for unplugging it;
- do not allow the equipment be used by children or unskilled persons without supervision.

-If the machine is broken or not working properly, shut it off and do not tamper with it. If repairs are needed, only go to an authorised dealer. Non-compliance with the foregoing could affect the safety of the machine.

-If you decide not to use the machine any more, you must put it out of commission by cutting the power cord, after unplugging the plug from the socket. It is also advisable to make safe any parts of the machine that could be a danger, especially for children who might play with the unused machine.

-Installation must be done according to the manufacturer's instructions. Improper installation can cause harm to persons, animals or things, for which the manufacturer cannot be held responsible.

-To avoid dangerous overheating, it is advisable to unwind the whole power cord and only to use the machine as advised in the "Instructions for Use" section.

-If the power cord of the machine is damaged it must only be replaced by the authorized dealer.

-The manufacturer cannot be held responsible for any harm to persons, animals or things arising from improper and unreasonable use of the machine and for repairs done by unqualified persons.

SCISHARE



NINGBO SCISHARE TECHNOLOGY CO.,LTD.

NO. 158 KAIFA ROAD(EAST),ZHOUXIANG TOWN, CIXI CITY,
ZHEJIANG PROVINCE CHINA