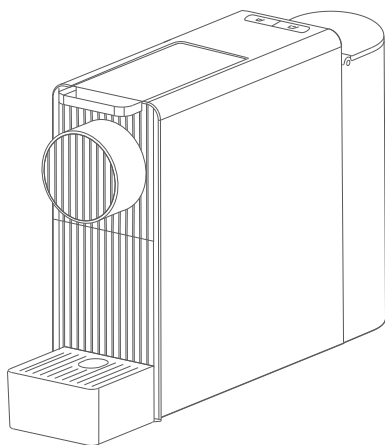


# SCISHARE

## Instruction Manual Capsule Coffee Machine Mini

S1201



Thank you for purchasing a SCISHARE product.

To ensure you fully enjoy comprehensive support from SCISHARE, please read this instruction manual and related illustrations in detail before using the product, and keep them in a safe place. If there are minor changes to the product, please refer to the actual item.

---

## Safety Instructions

**Read these instructions carefully before using your new coffee machine for the first time. Keep them in a place where you can find and refer to them later on.**

**.In case of an emergency: immediately remove the plug from the power socket.**

**.Children can never use the appliance without close adult supervision.**

**.Make sure the voltage of the power is the same as that specified on the rating plate.**

**.Connect your machine only to an earthed power sockets.**

**The use of an incorrect connections voids the guarantee.**

- Your machine is intended to be used in households only.
- Remove the plug from the power socket if you will not be using the machine for an extended time (holidays).
- Before cleaning and servicing, remove the plug from the power socket and let the machine cool down.
- Never immerse the machine, cable, or plug in water or any liquid. Keep the cable out of children.
- Never leave the cable near or in contact with hot parts of the machine, a source of heat, or a sharp edge.
- Never place the machine on a hot surface, e.g. a heating plate.
- Never use it around an open flame.
- Place the machine on a flat, stable, heat resistant surface away from water splashes.
- If the supply cord is damaged, it must be replaced by the manufacturer, its service agent or similarly qualified persons in order to avoid a hazard.

---

**This appliance may be used by children aged 8 years or above as long as they have been given supervised or instruction how to use of the appliance in a safe way and they are fully aware of the dangers involved. Cleaning and user maintenance shall not be made by children unless they are older than 8 and supervised. Keep the appliance and its cord out of reach of children aged less than 8 years. Appliances can be used by persons with reduced physical, sensory or mental capabilities or whose experience or knowledge is not sufficient, provided they are supervision or instruction how to use of the appliance in a safe way and understand the dangers.**

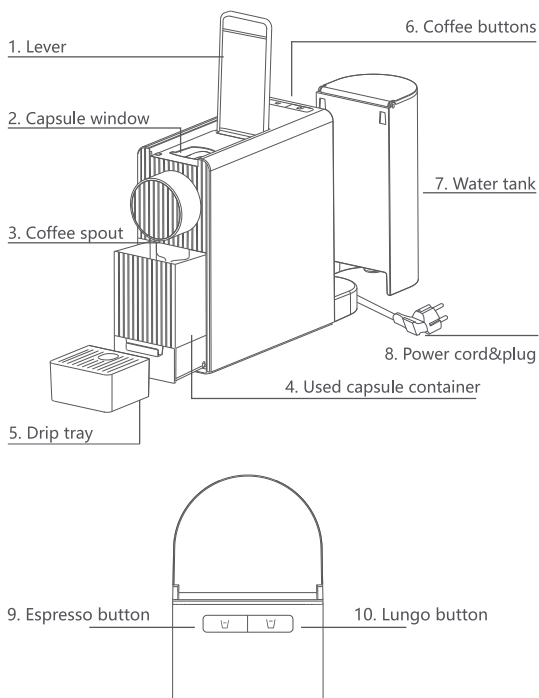
Children should be supervised to ensure that they do not play with the appliance.

This appliance is intended to be used in household and similar applications such as:

- staff kitchen areas in shops, offices and other working environments, farm houses;
- by clients in hotels, motels and other residential type environments;
- bed and breakfast type environments.

Cleaning and user maintenance shall not be made by children without supervision.

## Product overview



## Technical Specifications

Model: S1201

Safe grade: Class I

Voltage and Power: AC 220-240V, 50-60Hz, 1200W

Water tank capacity: 620 mL

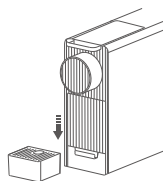
Net Weight: 2.3 kg

Size: L330\* W85\*H215mm

# First Use

## 1 Install the drip tray.

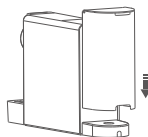
Take out the drip tray from the package, align the buckle of the drip tray with the slot under the used capsule container, press gently to lock it. When you need to remove it, lift up the drip tray, and move it out of the slot.



## 2 Fill the water tank.

Before filling the water tank, please rinse the water tank, fill the potable water, and then install it on the coffee machine as shown

**Note: Do not use hot water or tap water.**



## 3 Turn on your machine.

Connect the power plug to the 220V-240V household power socket, and press either the Espresso or Lungo button to turn on.

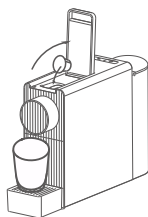
Tip: Blinking Lights of coffee buttons and machine start to preheating (around 25 s) When machine is ready, the lights stop blinking. The time of preheating is relate to the actual voltage and the temperature.



## 4 Coffee Preparation.

Once the preheating is completed, lift the lever completely and insert the capsule. Close the lever and place a cup under the coffee spout. Press the Espresso(40ml) or Lungo (110ml) button to extract coffee. Preparation will stop automatically. After extracting, it is recommended to lift and close the lever to eject the capsule into the used capsule container.

**Note: Do not remove the capsule film or secondary use the capsule.**



---

## 5 Programming coffee volume.

After the preheating is completed, press and hold on the Lungo button for 3 seconds. The coffee machine is start to extract coffee (the light of Espresso coffee button is stays on, and the light of Lungo coffee button is blinking).

When the coffee volume reaches the required cup volume, press again the Lungo coffee button, the light of the Lungo coffee button will blinking rapidly for 3 seconds, and memorize the current cup volume as Lungo button setting;

**Reset factory setting:** During the standby stage, Press and hold on the Espresso button and Lungo button for 3 seconds for resetting of Lungo button.

## 6 Energy saving mode (Power off).

This machine is equipped with an energy saving function. The machine will automatically power off after 10mins inactivity.

**Tip: Press the Espresso and Lungo button in same time, the machine will power off.**



Read these instructions carefully, because they contain the important information about the safety of installation, use and maintenance. Keep this booklet carefully for consulting when you need it.

- Before using, check that the mechanical and other parts of the machine are intact. The body of the machine, water tank cover, water tank and brewing unit must never be broken or cracked. The plug of the power cord must never be cracked or broken. If this should occur, disconnect the plug immediately and take the machine to an authorized dealer for checking.
- It is advisable to power the machine using a contact breaker (RCD) with operating current not higher than 30 mA.
- Keep the power cord out of the reach of children.
- Make sure the machine is turned off before plugging it into the socket outlet.
- The electrical safety of this machine is only assured when it is connected to an is connected to an efficient earth system, in accordance with the safety regulations in force. Have this important requirement checked by a qualified person. The manufacturer cannot be held responsible for damage caused by lack of an earth.
- Flying leads or non-approved extensions must not be used for supplying electricity to the machine.
- Before using the machine, remove all protective films from the outside walls of its body.
- The first time the machine is used there might be some smell caused by the insulating materials and the heating elements. This disappears after a few minutes.



Do not leave the machine without water in the tank

- Never immerse the machine, power cord and plug in water or other liquids.
- Keep the power cord away from the hot parts of the machine.
- While in operation, the power plug must always be easy to get at in case the machine has to be disconnected.
- Do not disconnect the machine by pulling the power cord.
- Do not move the machine while it is working.
- Do not leave the machine while it is working because this machine hasn't automatic stop function.
- Do not use or put the machine out of doors or near water.
- Always unplug the machine each time after using it.



Do not leave the machine in rooms where the temperature is 0°C or lower. If you are planning not to use the machine for a fairly long time, leave no water in the tank.

- This machine must never be used by children, invalids etc. except under strict supervision, nor in any case by people that have not been properly instructed about how to use it and about the dangers of improper use.
- Do not use the machine with bare feet and wet hands.
- Always unplug the power plug before cleaning the machine and before doing any kind of work on it.

## USER SAFETY UNPACKING AND PLACEMENT

- Remove the machine from its packing and check that all the parts are there and are not broken.
- Place the machine on a flat, even, stable, heat-resistant surface, strong enough to bear its weight.
- Do not install or use the machine near curtains or other flammable material and do not place anything on top of it during use.
- Do not place the machine on top of, or close to, additional oven or other equipment that generates heat (for instance, radiators etc.).
- Make sure there is enough space around the machine for proper ventilation.



Packing materials (cardboard, cellophane, metal staples etc.) could cut or cause injury if not handled carefully or if used incorrectly; keep them out of the reach of children or unskilled persons.

---

## TROUBLESHOOTING

If the machine is not working properly make the simple checks set out below. If the problem is not among those listed or if it still persists, even if you follow the advice given, contact an authorized dealer.

PROBLEM	POSSIBLE CAUSE	POSSIBLE SOLUTION
Machine doesn't work	Not properly connected to the power supply	Make sure it is properly plugged in
No light indicator after power on	The machine doesn't turn on	Press either the Espresso button or Lungo button to turn on
Coffee is not being dispensed or it comes out very slowly	The capsule is not good	Life and close the level, change a new capsule to test again

## DISMANTLING

- Taking the machine out of use must be done by authorized staff. The pressure of the water circuit must be fully lowered; the power cord disconnected and any substances potentially harmful to the environment must be disposed of legally and properly.
- Keep the machine out of the reach of children or unqualified persons. If the machine is to be disposed as waste, it must be taken to a centre authorized for recycling electrical and electronic equipment (\*). This is to protect the environment and humans from any possible harm. For more information about recycling please contact the offices of the municipality concerned, the domestic waste disposal service or the retailer.
- Do not dispose of the material in the environment.

---

## ADDITIONAL WARNINGS

If the plug of the machine does not fit into the socket have the plug changed by a qualified person who should also make sure that the section of the wires of the plug are suitable for the power absorbed by the machine. The use of adaptors, multiple sockets and/or extension cords is not advised. If they have to be used it is necessary to use only simple or multiple adaptors and extension cords compliant with the safety regulations in force and to make sure the capacity limit is not exceeded.

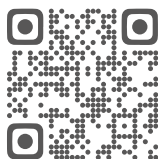
- There are basic rules to be observed when using electrical equipment. In particular;
  - do not touch or use the equipment with wet or damp hands or in bare feet;
  - do not pull on the power lead or the equipment itself for unplugging it;
  - do not allow the equipment be used by children or unskilled persons without supervision.
  - If the machine is broken or not working properly, shut it off and do not tamper with it. If repairs are needed, only go to an authorised dealer. Non-compliance with the foregoing could affect the safety of the machine.

If you decide not to use the machine any more, you must put it out of commission by cutting the power cord, after unplugging the plug from the socket. It is also advisable to make safe any parts of the machine that could be a danger, especially for children who might play with the unused machine.

Installation must be done according to the manufacturer's instructions. Improper installation can cause harm to persons, animals or things, for which the manufacturer cannot be held responsible.

- To avoid dangerous overheating, it is advisable to unwind the whole power cord and only to use the machine as advised in the “Instructions for Use” section.
- If the power cord of the machine is damaged it must only be replaced by the authorized dealer.
- The manufacturer cannot be held responsible for any harm to persons, animals or things arising from improper and unreasonable use of the machine and for repairs done by unqualified persons.

# SCISHARE



NINGBO SCISHARE TECHNOLOGY CO.,LTD.

NO. 158 KAIFA ROAD(EAST),ZHOUXIANG TOWN, CIXI CITY,  
ZHEJIANG PROVINCE CHINA